

SDS REPLACEMENT FLOW RESTRICTOR

The SDS unit is supplied with a flow restrictor installed on the pump discharge. If the flow restrictor needs to be replaced or the union is damaged and replaced, use replacement flow restrictor assembly P/N W3T578999.

A new assembled Flow Restrictor is created for use on the SDS Local and SDS Remote units. This is a factory assembled replacement part ordered as PN W3T578999. Refer to Figure 1.

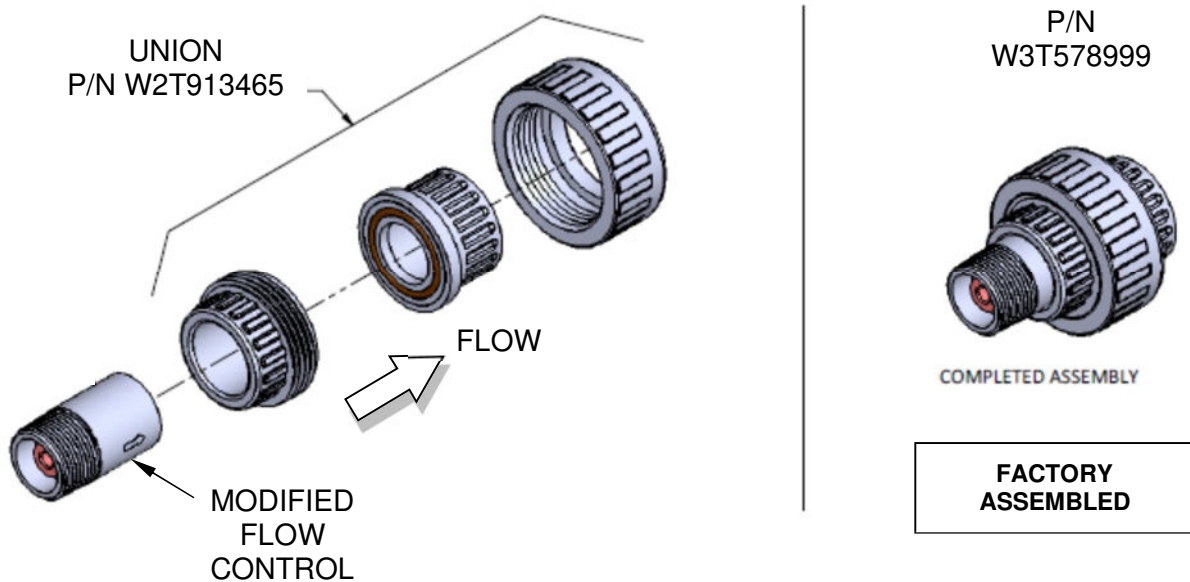


FIGURE 1

The Flow Restrictor is shown in Figure 2 installed on the discharge side of the pump. For replacement of the flow restrictor, use P/N W3T578999 in place of the union PN W2T913465.

Apply thread tape to all threaded connections. Check for leaks after installation. Tighten connections as necessary. Disinfect per the instructions in the manual.

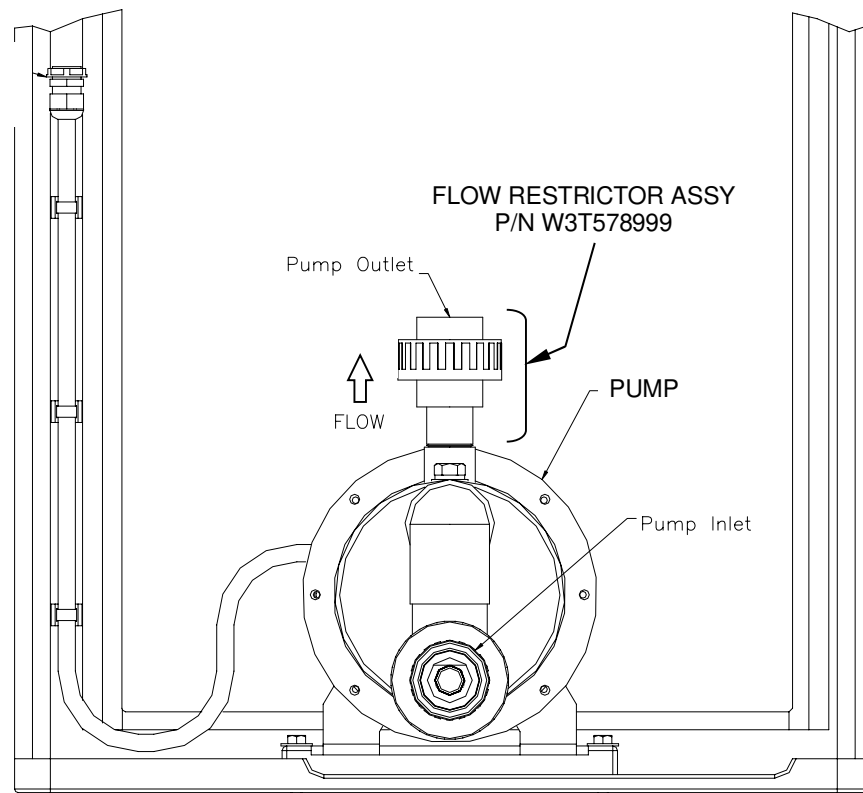


FIGURE 2