

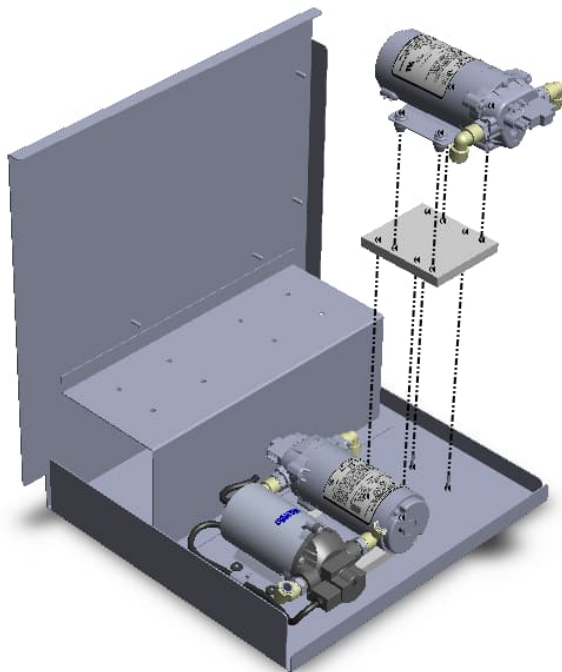
SDSR/SDSL TRANSFER PUMP

There has been a change to the replacement acid and bicarb transfer pump part numbers used on the metal frame SDSR/SDSL units. The existing pumps are manufactured by Shurflo. The replacement pump is now supplied by Aquatec.

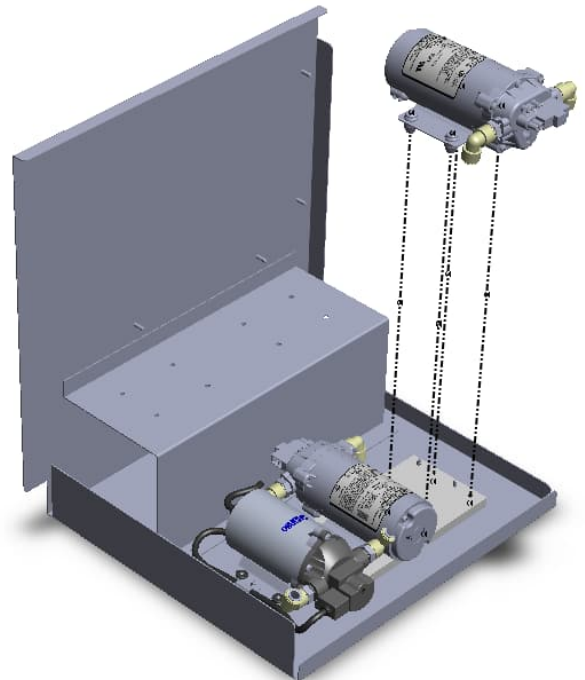
There is a length difference between the existing Shurflo pump and the replacement Aquatec pump. The Aquatec pump head section is longer than the Shurflo pump. This means that the Aquatec replacement pump requires an adapter plate to make pump mounting compatible with the existing systems. The adapter plate simply allows the pump to mount with a 1" offset with respect to the original pump location.

There are 2 new part numbers for replacement transfer pumps;

- W3T578795: replacement 'kit' for initial pump replacement that includes pump and adapter plate.
- W3T578794: replacement pump only used for systems that may already use an Aquatec pump and have an adapter plate installed.



W3T578795
PUMP WITH ADAPTER PLATE



W3T578794
PUMP ONLY

Ordering Information

For ordering purposes, the following table identifies the Aquatec replacement transfer pump part numbers:

New SDSR/SDSL Transfer Pump Ordering Information		
OLD P/N	NEW P/Ns	DESCRIPTION
ME14876 (W3T577793)	W3T578795	REPLACEMENT PUMP KIT , (FOR INITIAL AQUATEC PUMP REPLACEMENT. INCLUDES AQUATEC PUMP AND ADAPTER PLATE).
	W3T578794	REPLACEMENT PUMP ONLY , (FOR EXISTING AQUATEC PUMP REPLACEMENT).