

### 23G REPLACEMENT PIPING WITH TONKAFLO PUMP

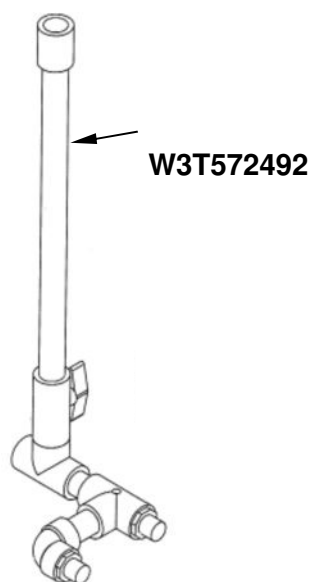
Effective for 23G units prior to February 2009 using a TonkaFlo pump.

Replacement piping assemblies are listed below and are specific for the 23G unit with TonkaFlo submersible pump. These can be ordered individually per the part number shown. For a complete piping assembly that does not include solenoid valves or diaphragm valves as the preferred replacement, use kit part number W3T578160.

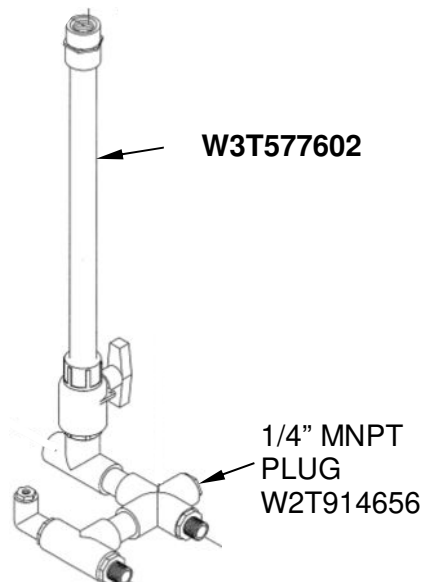
In some cases, there are 2 replacement piping assemblies available for the older vintage 23G unit. The original assembly for the older vintage 23G and an equivalent, preferred replacement version is also shown.

W3T572492 PLUMBING, INLET TO PREFILTER, 1"

W3T577602 KIT, 23G FEED TO PREFILTER



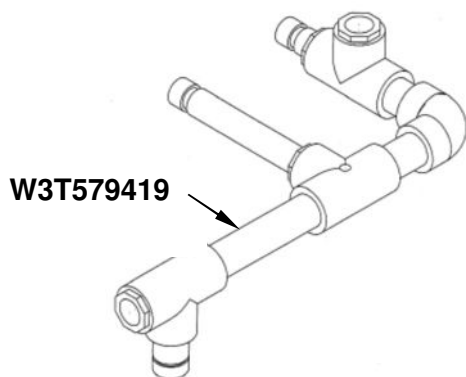
OLDER VERSION  
OPTION



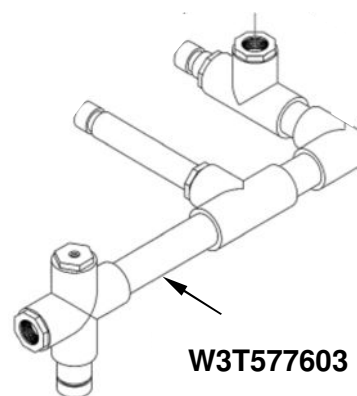
PREFERRED  
REPLACEMENT

W3T579419 PLUMBING,PREFILTER TO VALVE, 1.00

W3T577603 KIT,23G PREFILTER TO VALVE



OLDER VERSION  
OPTION



PREFERRED  
REPLACEMENT

---

W3T579420 PLUMBING,VALVE TO PUMP INLET 23G

