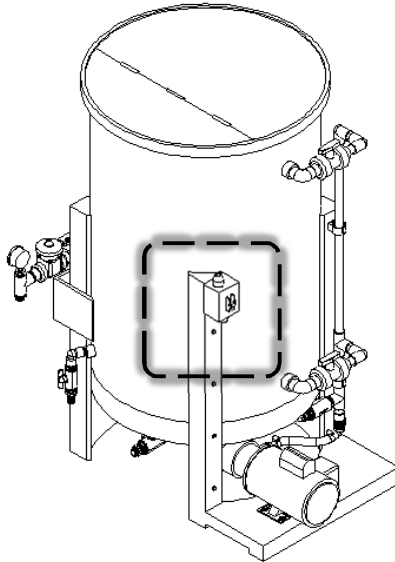


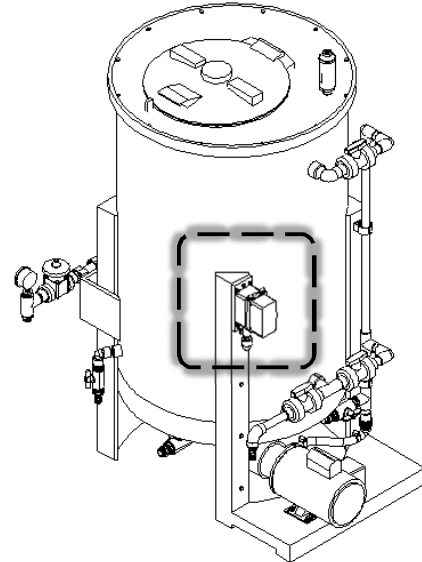
MCB SINGLE MIX BICARB SWITCH REPLACEMENT

The ON/OFF pump switch for the single mix bicarbonate units is obsolete. This has been replaced with a time operation select push button panel. This applies to older MCB 200 models as well as MCB 202 units.

To order the replacement timer kit, which includes all parts, instructions, and current manual for the single bicarb mixer, refer to P/N W3T575435.



**BICARB UNIT
WITH ON/OFF
SWITCH
OLD STYLE**



**BICARB UNIT
WITH TIMER
SWITCH
NEW STYLE**

Function Description

Incorporating the Mix Timer function will eliminate the possibility of over-mixing. The mix pump power switch is a time operation with a selectable push button switch panel that automatically shuts off the mixer once the time has cycled. Individual buttons on the switch panel are established for 2 minutes, 5 minutes, 10 minutes and 15 minutes. A blank button stops the pump from operating. By pressing the 15-minute button twice, it will allow the pump to operate for 24 hours, allowing the MCB-CD models to function as a central distribution system.